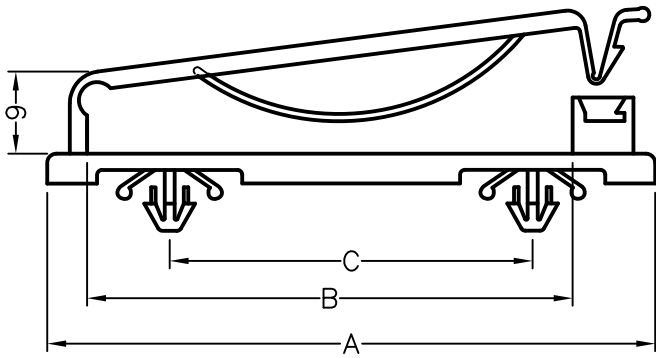




HOLE : ϕG
 THICKNESS: T



PART NO	A	B	C	D	G	T
FDT-4	67	53.5	40	10	4	0.8~2.0

NOTE: A, D