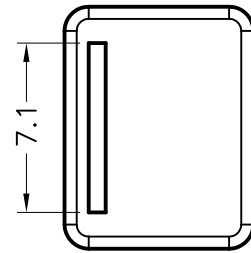
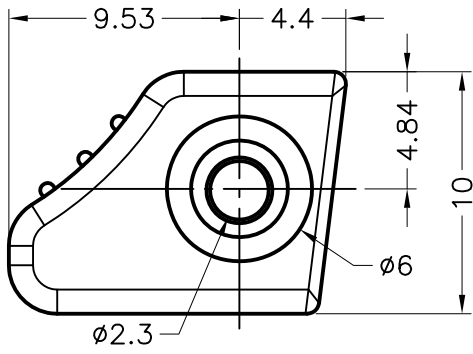


ASSEMBLY PART  
THICKNESS 0.6mm



|          |
|----------|
| PART NO. |
| HANE-46  |