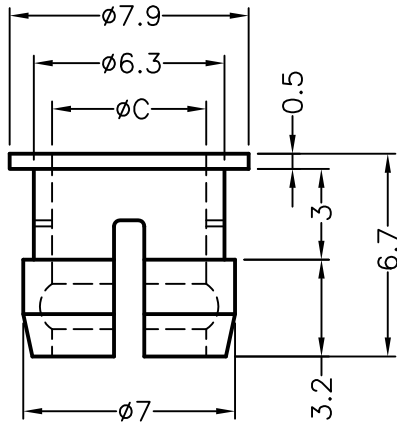
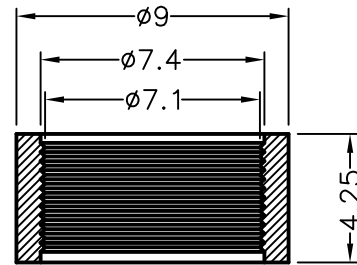


CHASSIS $\phi 6.4$
THICKNESS 3.0



LED5-2A



LED5-2B

$$C = \phi 5.1$$