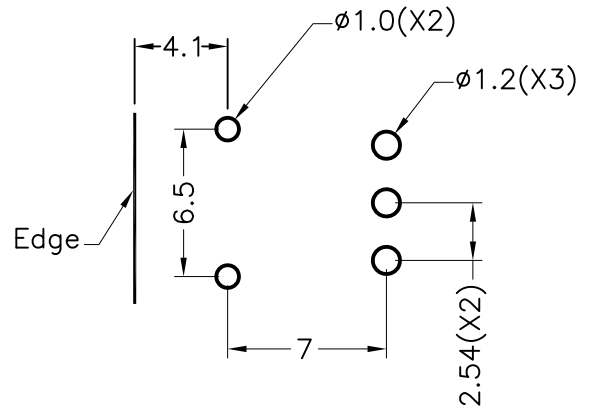


2 PIN LED MOUNTING HOLE



3 PIN LED MOUNTING HOLE

$C = \phi 6$