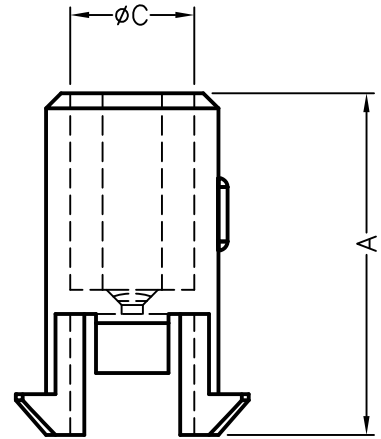
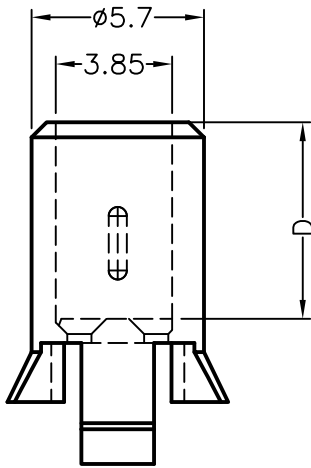


MOUNTING HOLE $\phi 5.9$
 CHASSIS THICKNESS 0.6



PART.NO	A	C	D
LEQU3-1	12.8	4.1	8.0
LEQU3-2	11.3	4.1	6.5