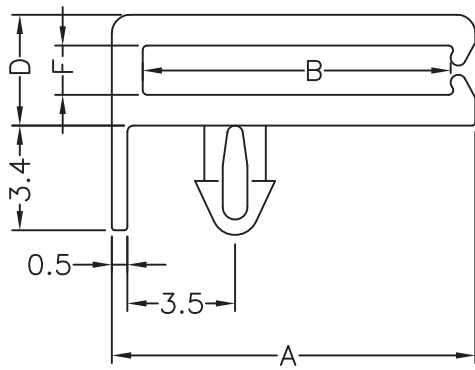


MOUNTING HOLES  
THICKNESS: T



PART NO.	A	B	C	D	F	T
MIS-4	11.8	10	3	3.6	1.6	1.6

NOTE: A, D