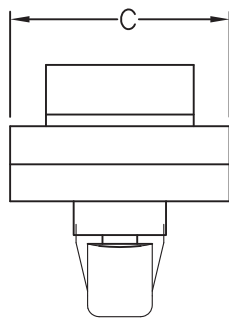
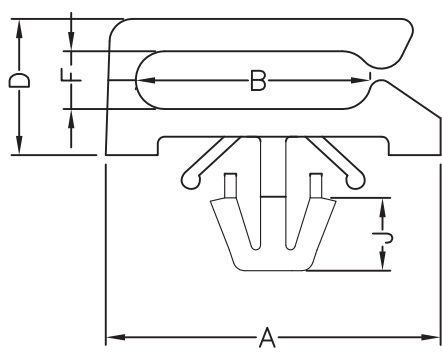


HOLE : ϕG
 THICKNESS: T



PART NO.	A	B	C	D	F	G	J	T
MIS-9	14.5	10.15	9.5	5.9	2.5	4.0	3.15	1.6

NOTE: A, D