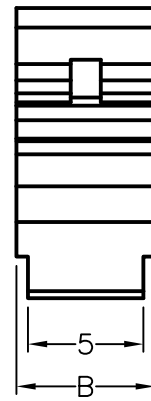
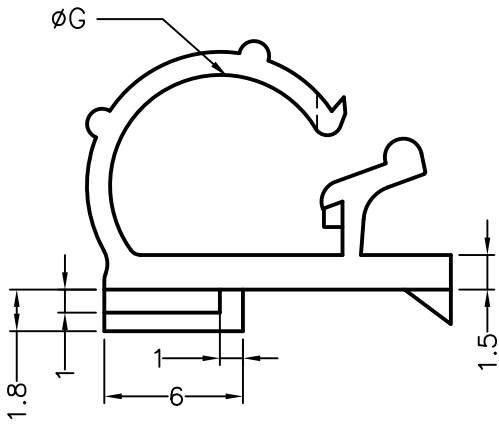


MOUNTING HOLE
CHASSIS THICKNESS : T



PART NO.	B	G	T
MISA-3	6	9.58	0.8

NOTE:A, D