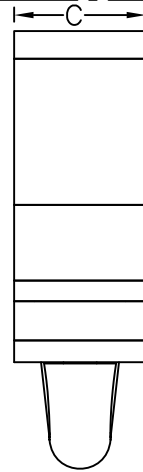
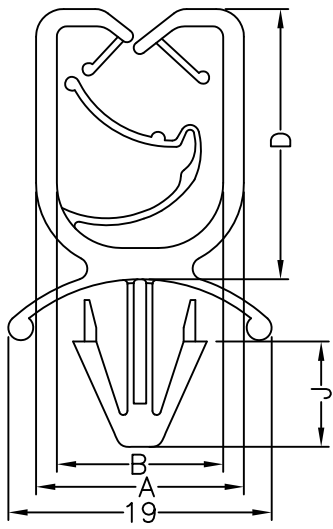


HOLE : G
THICKNESS: T



PART NO.	A	B	C	D	G	J	T
MWCA-1	15	12	9.5	19.5	6.3~7.2	7.6	0.6~3.0

NOTE:A, D