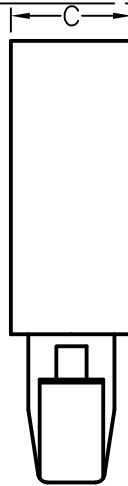
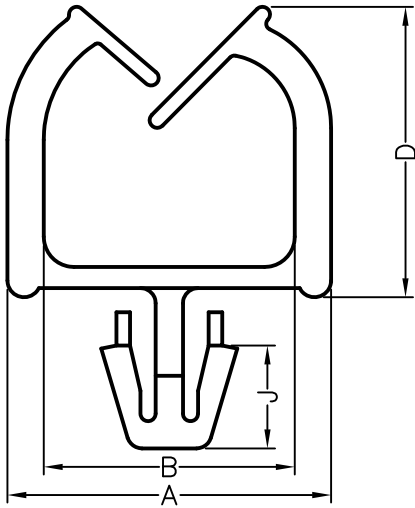


HOLE : G
THICKNESS: T



PART NO.	A	B	C	D	G	J	T
MWS-11	9	6.6	4	7.3	3.5	3.2	1.6
MWS-11S						2.8	1.0

NOTE: A, D