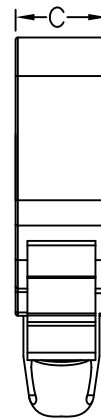
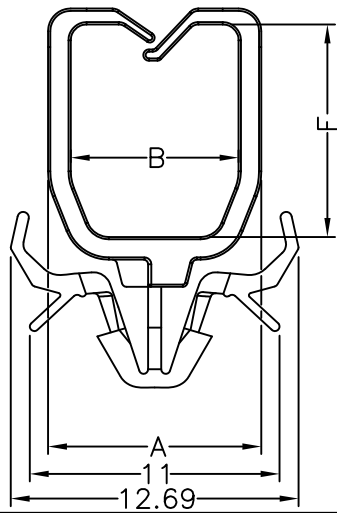


HOLE : G
 THICKNESS: T



PART NO.	A	B	C	F	G	T
MWSB-1	9.4	7.4	4.04	9.37	3.5	0.6~1.6

NOTE: A, D