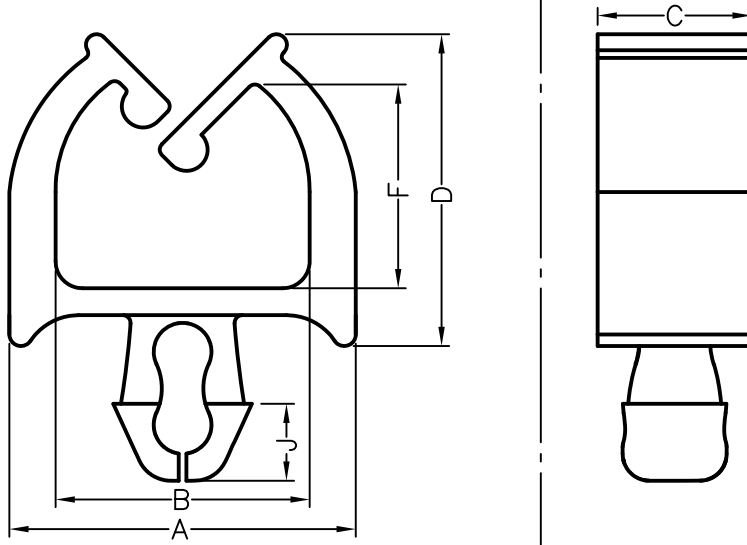


HOLE : G
THICKNESS: T



PART NO.	A	B	C	D	F	G	J	T
MWSC-1	9	6.6	4	7.3	5.3	3	2	1.2~1.6

NOTE:A, D