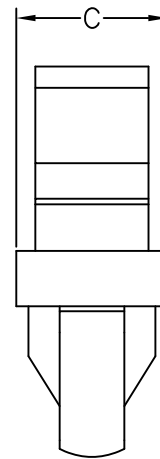
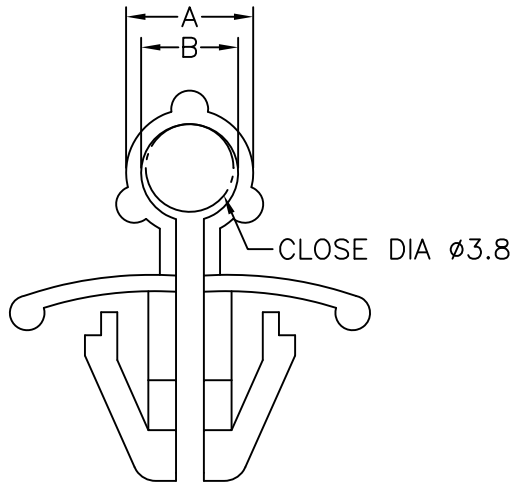


HOLE : ϕG
THICKNESS: T



PART NO.	A	B	C	G	T
OCC-4	5.5	4.2	6.55	6.5	1.2

NOTE: A, D