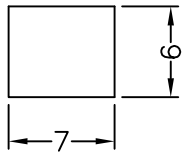
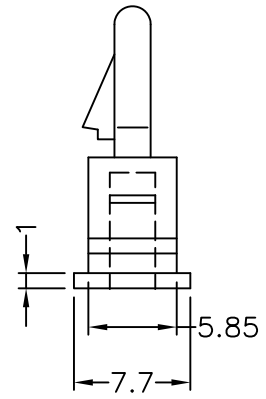
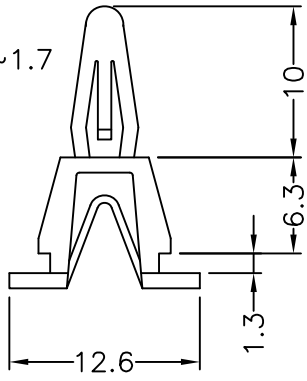


P.C.B  $\phi 4.0$   
THICKNESS 0.8~1.7



MOUNTING HOLE

PART NO.

PCC-6

NOTE:D