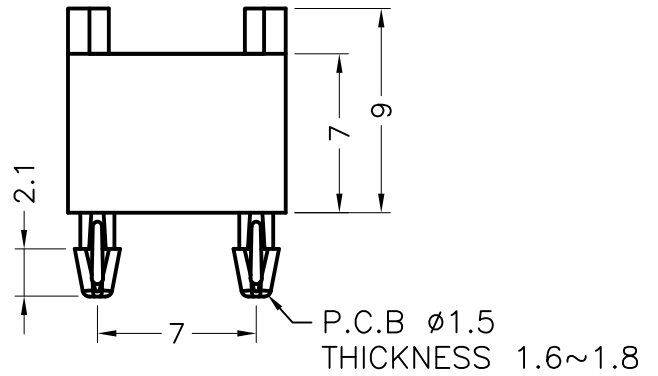
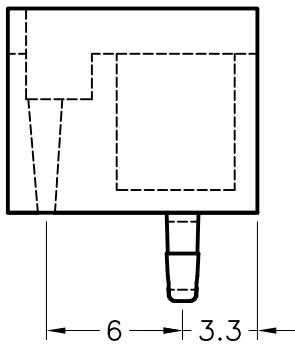


MOUNTING HOLES



P.C.B  $\phi 1.5$   
THICKNESS 1.6~1.8

PART NO.
RCEE-7