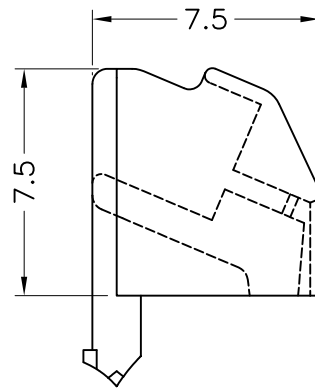
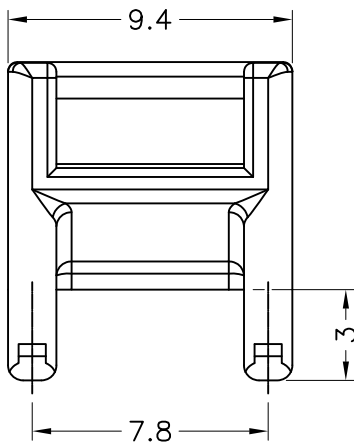


RECOMMEND MOUNTING HOLE LAYOUT  
 RECOMMEND THICKNESS: 1.6mm



NOTE ; A 、 D 、 N