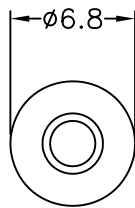
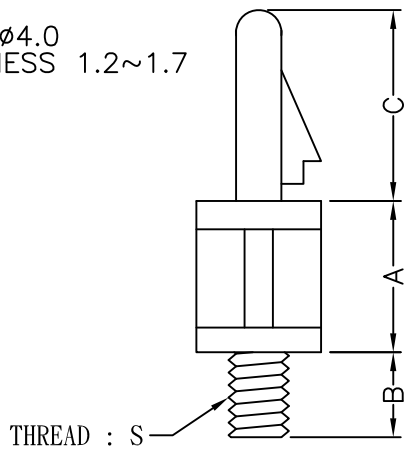


P.C.B $\phi 4.0$
 THICKNESS 1.2~1.7



PART NO.	A	B	C	S
SCB-6	6.3	7.8	10.0	6-32UNC
SCB-10	9.5	7.8	10.0	6-32UNC
SCB-12	12.7	7.8	10.0	6-32UNC
SCB-15	15.9	7.8	10.0	6-32UNC
SCB-15A	15.9	4.8	10.0	6-32UNC
SCB4-23.8	23.8	6.35	9.0	M4X0.7

NOTE:D