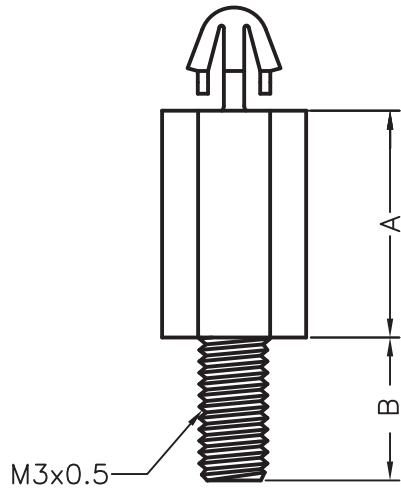


PCB  $\phi 3.0$   
THICKNESS 1.6mm



PART.NO	A
SCBA-3	3.0

數值請依照目錄