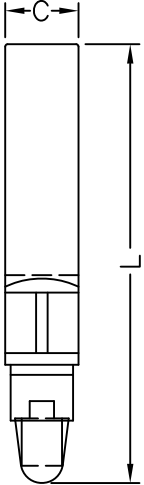
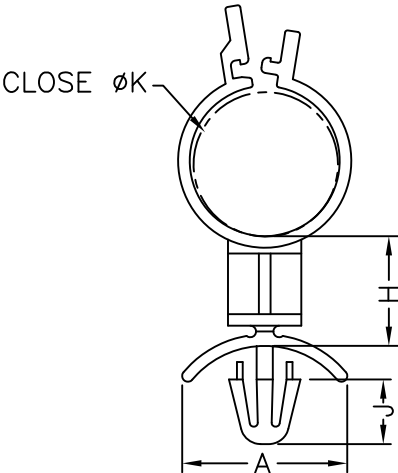


HOLE :  $\phi G$   
THICKNESS: T



PART NO.	A	C	H	J	K	L	G	T
SLC-19	14.3	6.35	9.5	5.6	12.5	38	4.8	0.8~2.0

NOTE: A, D