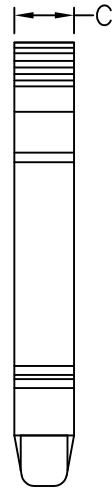
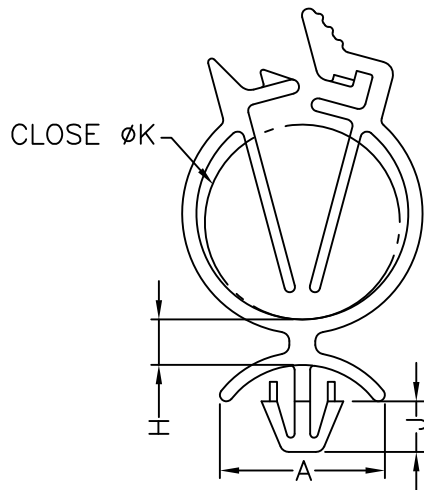


HOLE : ϕG
THICKNESS: T



PART NO.	A	C	H	K	J	G	T
SLCA-15	12.7	4.6	3.5	15	3.9	4.8	0.8~2.0

NOTE: A, D