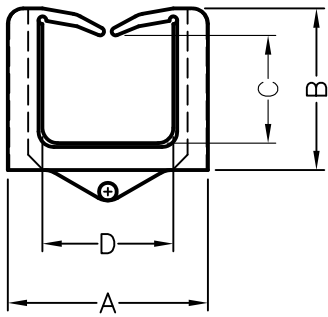


MOUNTING HOLE  
CHASSIS THICKNESS :T



PART NO.	A	B	C	D	E	F	G	H	T
SQE-1	19.8	12.1	7.3	11.5	14.0	12.3	2.8	2.5	0.8~2.0
SQE-2	26.0	21.0	14.0	17.0	21.0	21.0	2.7	2.5	
SQE-2-1	26.0	21.0	14.0	17.0	21.0	21.0	2.7	2.5	
SQE-3	33.2	28.8	22.4	22.7	27.0	29.0	2.8	2.5	