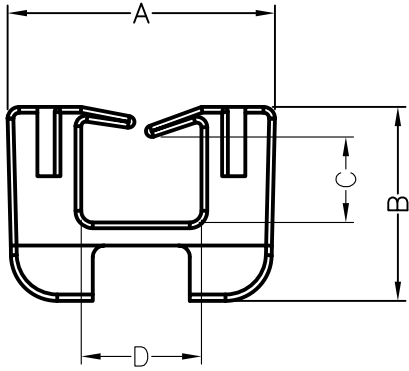


MOUNTING HOLE
THICKNESS: T



| PART NO. | A | B | C | D | E | F | I | T |
|----------|------|-----|-----|-----|-----|-----|-----|---------|
| SQF-5 | 11.6 | 8.4 | 3.7 | 5.2 | 8.1 | 6.1 | 9.1 | 0.8~1.8 |