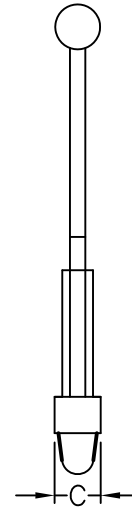
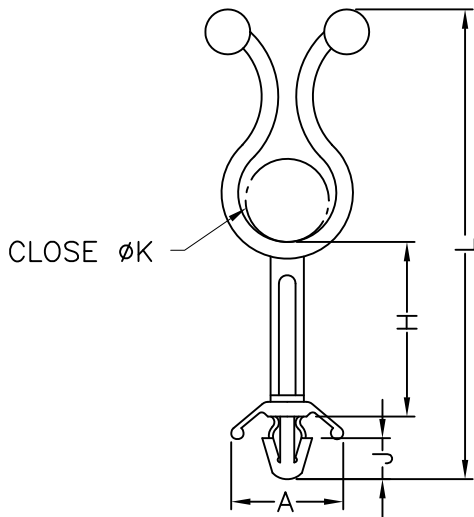


HOLE : ϕG
 THICKNESS: T



PART NO.	A	C	J	H	K	L	G	T
THC-1	13.8	5.5	5	21.0	10.4	56.5	4.8	0.8~2.2
THC-2	13.8	5.6	5	34.0	5.0	59.8	4.8	
THC-3	14	5.6	5	4.5	10.4	37.7	4.8	
THC-1S	9.2	4.9	3.1	3.0	7.2	26.7	4.0	
THC-4	13.5	5.7	4.9	43.5	10.1	78.1	4.8	

NOTE: A, D