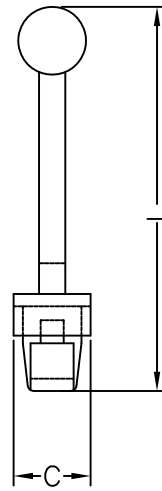
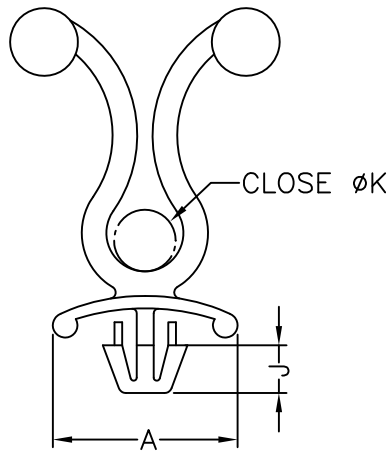


HOLE :  $\phi G$   
THICKNESS: T



PART NO.	A	C	J	K	L	G	T
THC-5	12	5	3.1	4	25	4	0.8~2.0

NOTE: A, D