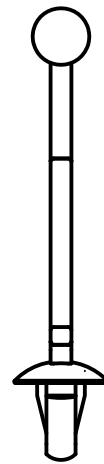
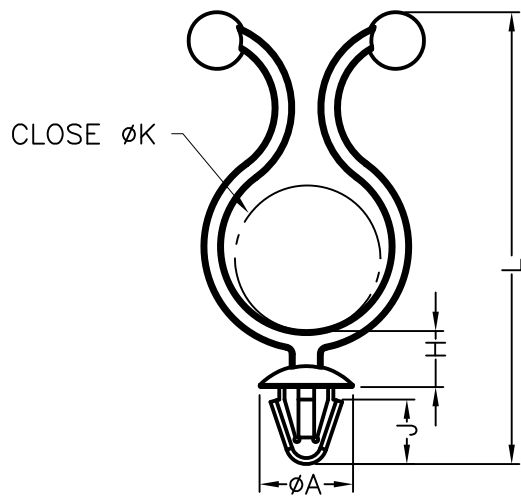


HOLE : ϕ G
THICKNESS: T



PART NO.	A	H	J	K	L	G	T
THCA-1	9	5.4	6.3	14	43.48	4.8~5	1.2~2.0

NOTE:A, D