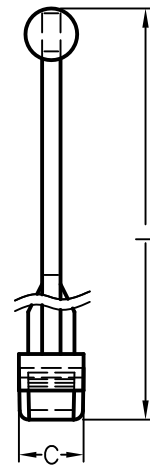
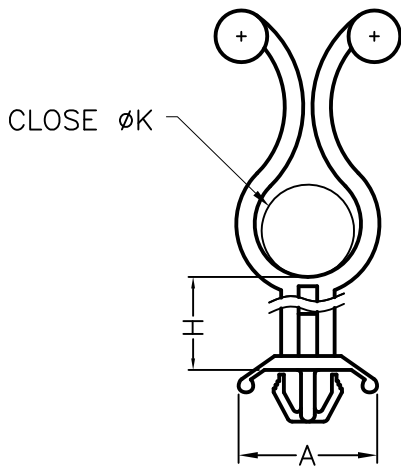


MOUNTING HOLES

THICKNESS: T



PART NO.	A	C	H	K	L	T
THG-13	15	7	47	10	81.45	0.8~1.6

NOTE: A, D