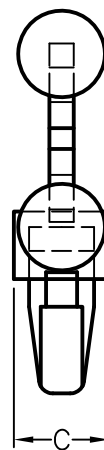
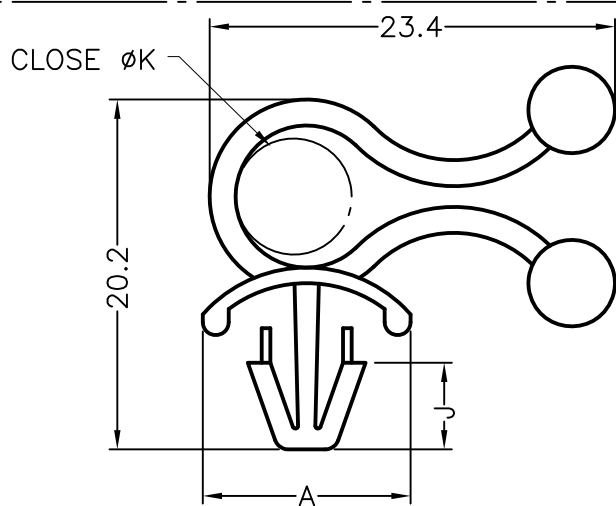


HOLE : $\phi$ G  
 THICKNESS: T



PART NO.	A	C	J	K	G	T
THH-8	12	5.5	5	6.7	4.0	1.6~4.0

NOTE:A, D