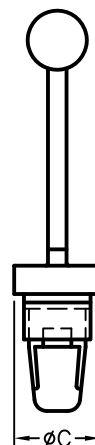
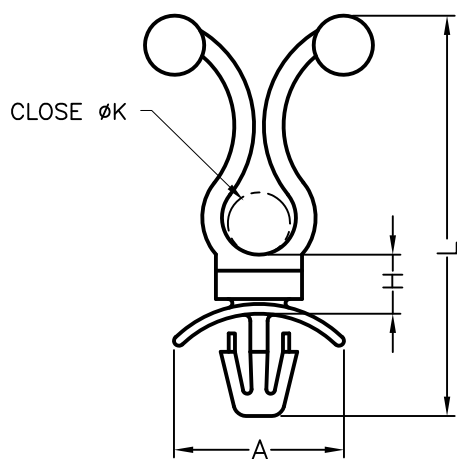


HOLE : ϕ G
THICKNESS: T



PART NO.	A	C	H	K	L	G	T
THL-4.8	13.8	7	4.8	5.2	32.5	4.8	0.8~2.0

NOTE:A, D