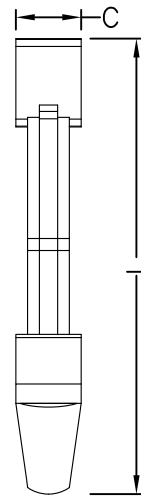
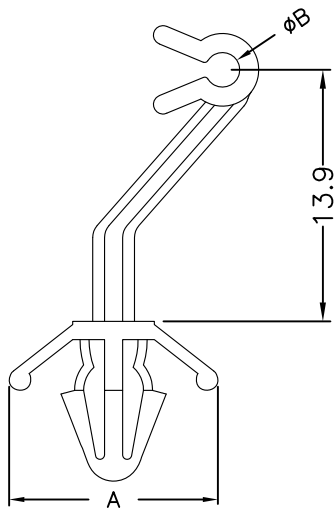


HOLE :  $\phi G$   
THICKNESS: T



| PART NO. | A    | B   | C   | L    | G | T       |
|----------|------|-----|-----|------|---|---------|
| THV-8    | 11.5 | 1.9 | 3.6 | 25.1 | 4 | 0.8~2.5 |

NOTE:A, D