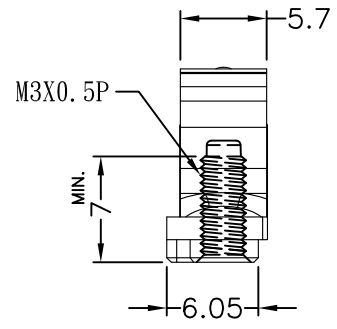
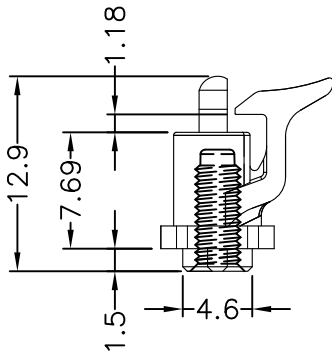


P.C.B  $\phi$ 3.3  
THICKNESS 1.0



PART NO.
ULCD-7.8