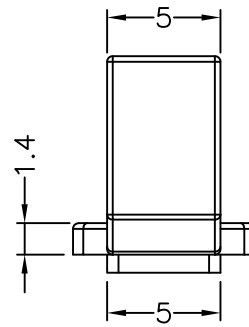
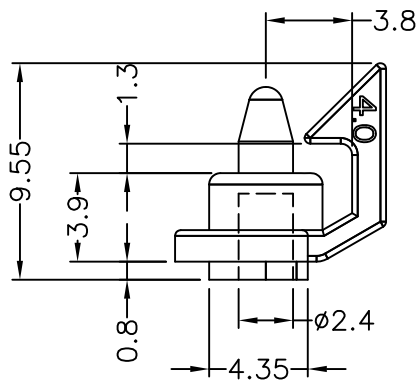


P.C.B  $\phi$ 2.5  
THICKNESS 1.0



PART NO.

ULCIJ-4