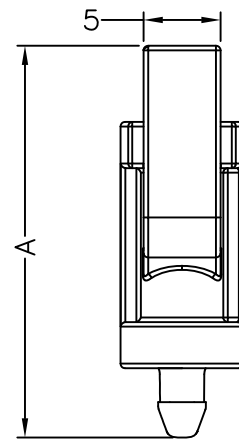
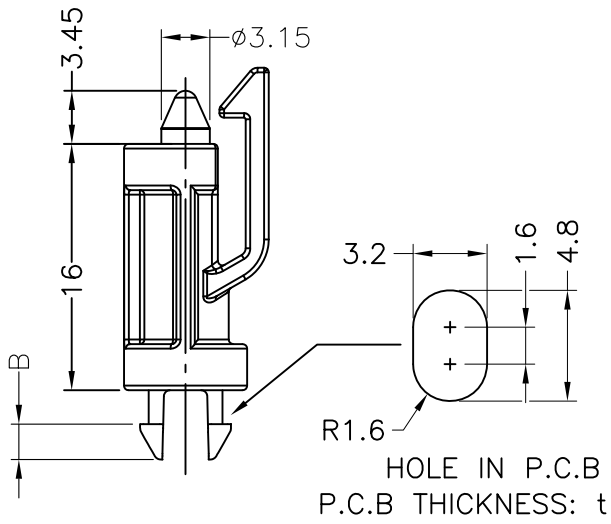


HOLE IN P.C.B
P.C.B THICKNESS:1.57mm



PART NO	A	B	t
ULCSA-16	25.45	2.3	2.13
ULCSA-16S	24.5	1.9	1.57

NOTE:N