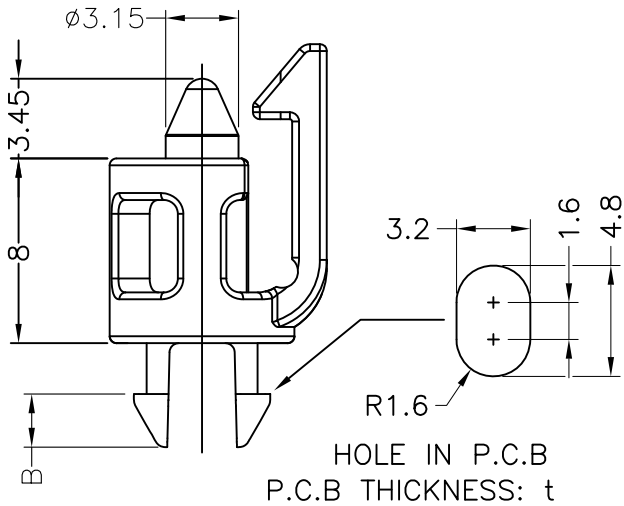
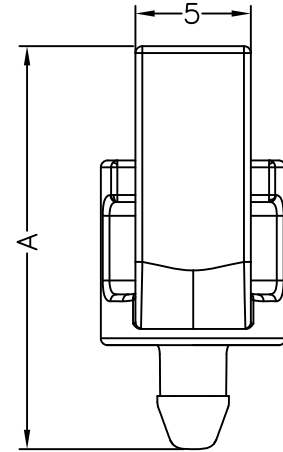


HOLE IN P.C.B  
P.C.B THICKNESS:1.57mm



HOLE IN P.C.B  
P.C.B THICKNESS: t



PART NO	A	B	t
ULCSA-8	17.45	2.3	2.13
ULCSA-8S	16.5	1.9	1.57

NOTE:N