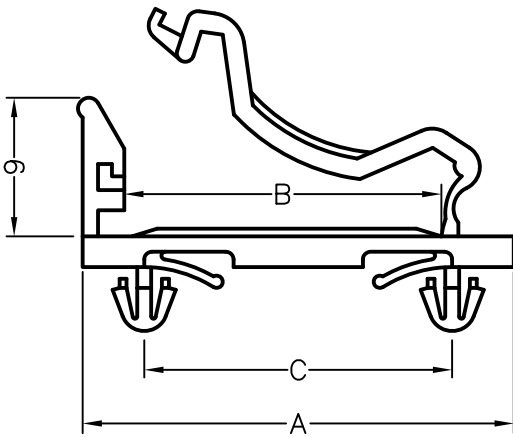


HOLE : ϕG
 THICKNESS: T



PART NO	A	B	C	D	G	T
WDT-20	28	20.6	20	8	3	0.8~1.2

NOTE: A, D