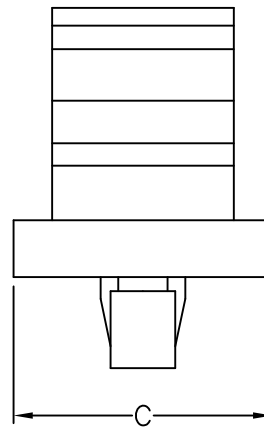
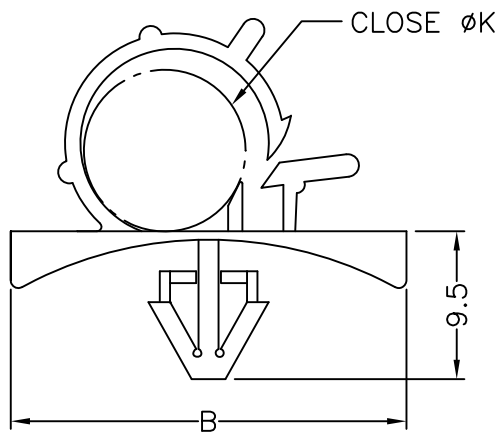


HOLE : G
THICKNESS: T



PART NO.	K	B	C	G	T
WL-1	10.5	25.7	16.8	6.5	0.8~1.6

NOTE:A, D

其餘同目錄尺寸