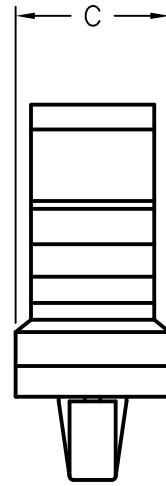
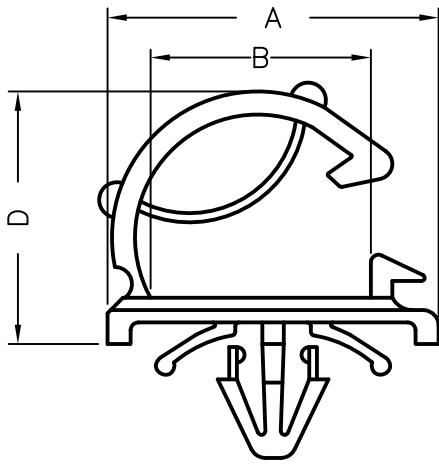


HOLE : ϕG
THICKNESS: T



PART NO.	A	B	C	D	G	T
WLO-3	21.5	14.3	10.0	16.4	4.8	0.8~2.5

NOTE:A, D